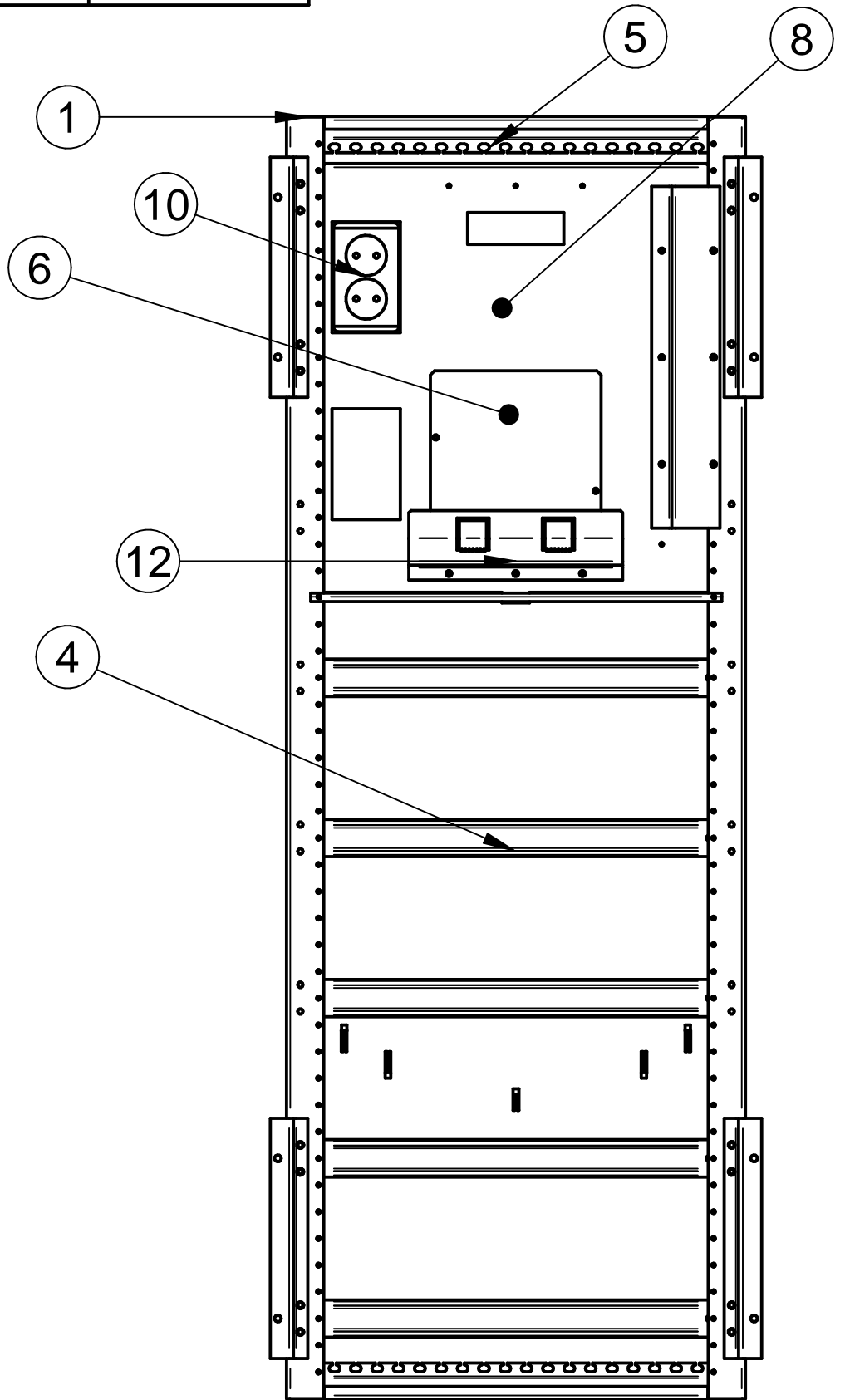
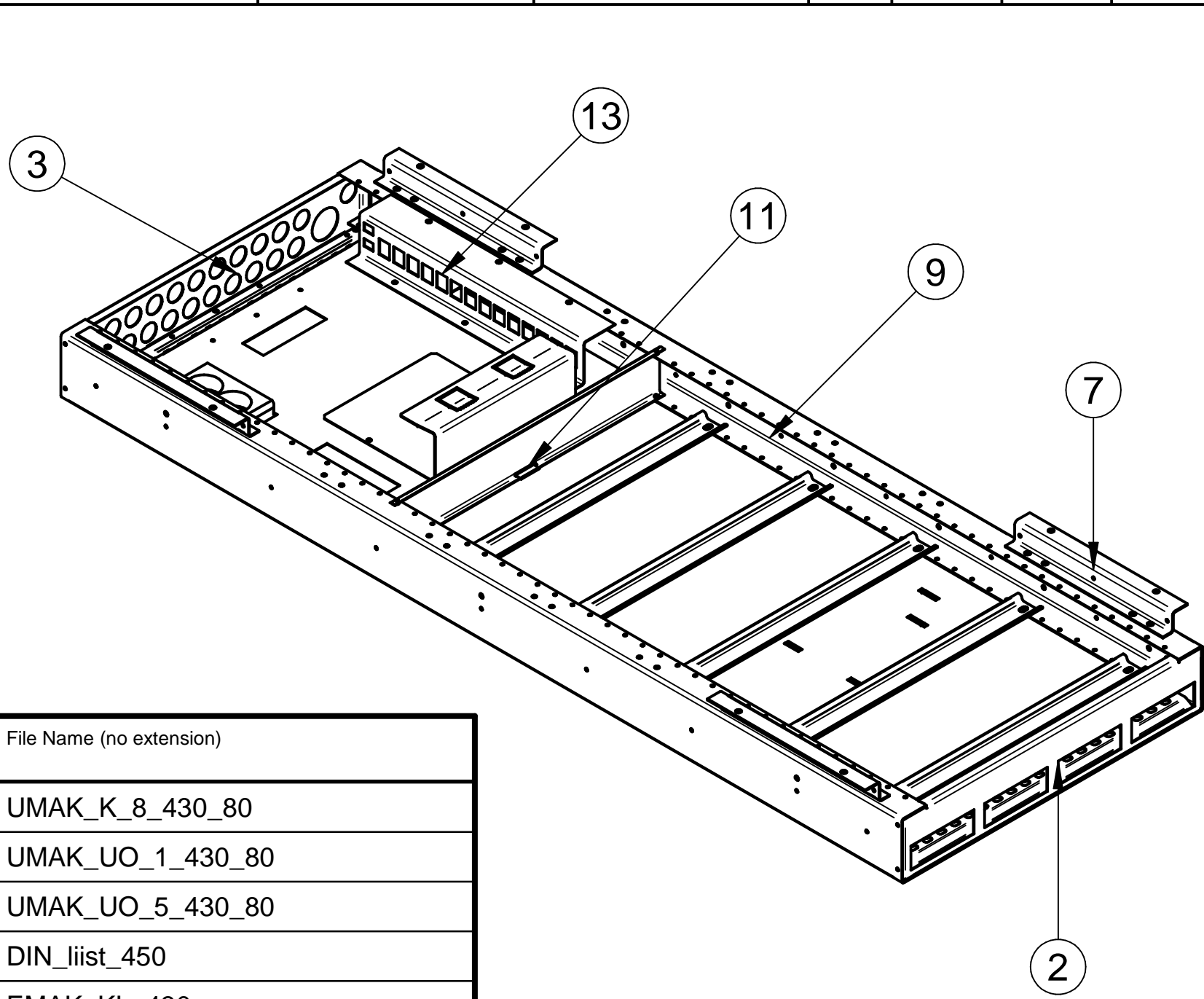


| | | | | | | | |
|-----------------|----------|-----------|--------|---------|------|------------------|------------------|
| Nimetus: | Materjal | Pinnakate | Paksus | Pindala | Mass | Lõikamisprogramm | Painutusprogramm |
| UMAK8_430IT3_VY | | | | | | | |



| Item Number | File Name (no extension) |
|-------------|--------------------------|
| 1 | UMAK_K_8_430_80 |
| 2 | UMAK_UO_1_430_80 |
| 3 | UMAK_UO_5_430_80 |
| 4 | DIN_liist_450 |
| 5 | EMAK_KL_430 |
| 6 | MAK_ITV_AJK |
| 7 | UMAK_US_P_1 |
| 8 | MAK_IT_SP3_430AY_UPM |
| 9 | EMAK_P_8_3_1200 |
| 10 | SE_PP2 |
| 11 | MAK_VS_4_430_56 |
| 12 | MAK_ITV_ACT1 |
| 13 | MAK_ITV14CAT6_2OPT_50 |



 Maleva 20 Tallinn 11711 tel. 666 40 50 fax.666 40 60

| | | |
|---------------------------|-------------|-------------|
| Töö nimi: | Koostas: | Jörgen Simm |
| Joonise alus | Kontrollis: | |
| Tellijä: Elrato AS | Kuupäev: | 7.04.2020 |
| Kood: UMAK8_430IT3_VY | Stadium: | |
| Fail: UMAK8_430IT3_VY.dft | Leht: | 1 / 1 |